

Each Plate shall be stamped with the actual as-built distance to the nearest half foot.

**NOTES:**

Witness post piping shall be 3" Galvanized Pipe meeting ASTM A53/A53M-07

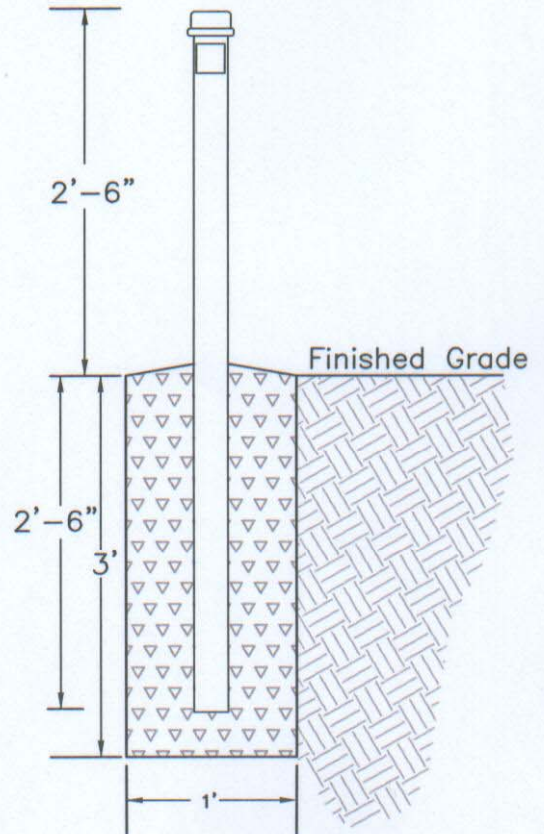
Pipe shall be painted with a corrosion resistant primer and safety green topcoat or as directed by the Engineer.

Height of witness post may be increased due to topography or environmental concerns at the discretion of the Engineer.

Location of the witness post shall be as shown on the plan unless approved by the Engineer.

Concrete shall be MDOT SHA MIX #1 2500 psi.

Data plate shall face the item referenced.



	<b>APPROVED</b>	<b>REVISIONS</b>		<b>ST. MARY'S COUNTY METROPOLITAN COMMISSION</b> STANDARDS FOR PUBLIC WATER, SEWER AND INCIDENTAL STRUCTURES
	 C. I. FREDERICK JR., P.E. CHIEF ENGINEER DATE: <u>7/1/09</u>	DATE	INITIALS	
		6/18/09	J.E.C.	
				<b>STANDARD NO. G-5</b>