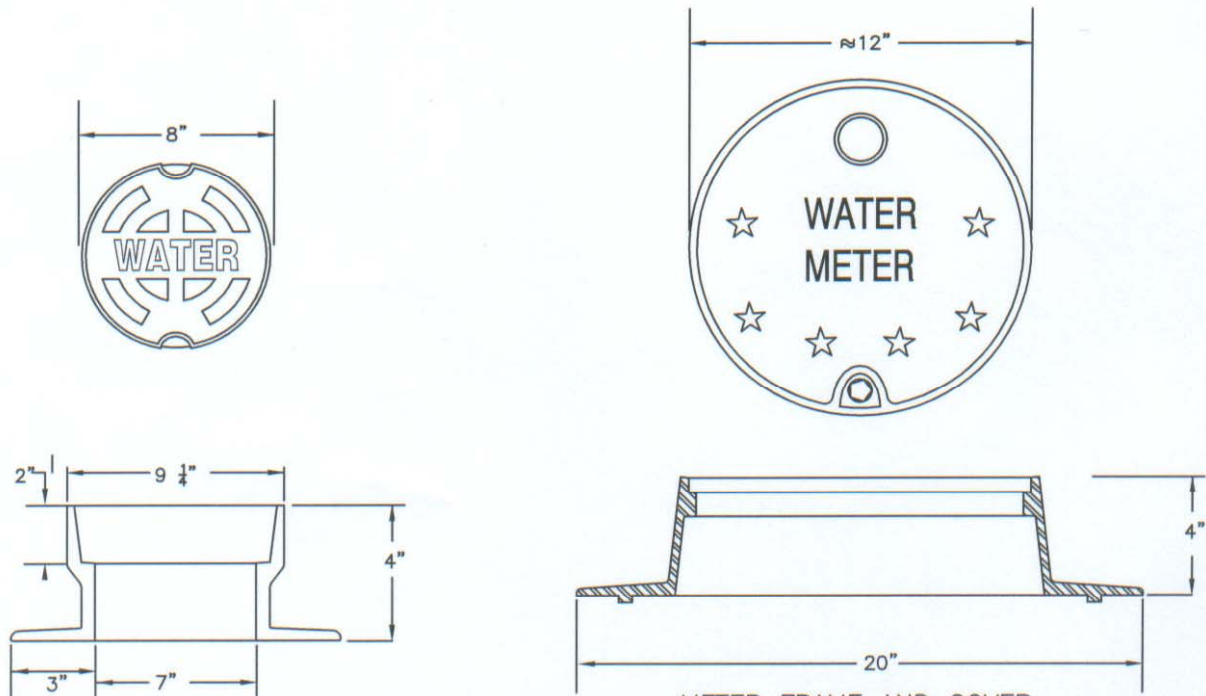


\*NOTE: MEASUREMENTS MAY VARY SLIGHTLY BY MANUFACTURER.



TYPICAL 7" FRAME AND COVER FOR USE WITH VALVE VAULTS

METER FRAME AND COVER FOR USE WITH 18" METER BOX.



EXTENSION RING  
ALLOWS INSTALLATION OF STANDARD FRAME AND COVER ON 24" THRU 36" METER PIT

METER LID SHALL HAVE A PRECAST HOLE FOR THE INSTALLATION OF THE ELECTRONIC METER READING MODULE.

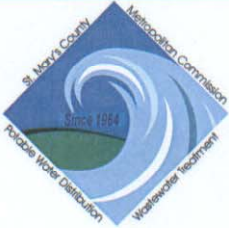
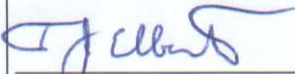
METER LID SHALL BE EQUIPPED WITH A BRASS PENTAGON LOCKING BOLT.

LOCKING BOLT SHALL BE THE STANDARD WATERWORKS PENTAGON  $\frac{3}{32}$ " BOLT.

METER FRAME AND COVER MAY BE DESIGNED TO ALLOW THE LID TO EITHER SIT WITHIN THE FRAME OR OVERLAP THE FRAME.

FRAME AND COVER SHALL BE CONSTRUCTED OF CAST IRON AND SHALL CONFORM TO ASTM A 48, CLASS 30.

USE OF PLASTIC METER COVERS SHALL BE PERMISSIBLE UPON THE APPROVAL OF THE CHIEF ENGINEER.

 <p>www.metcom.org</p>	<b>APPROVED</b>	<b>REVISIONS</b>		<b>ST. MARY'S COUNTY METROPOLITAN COMMISSION</b> STANDARDS FOR PUBLIC WATER, SEWER AND INCIDENTAL STRUCTURES  <b>STANDARD FRAMES AND COVERS FOR WATER METERS AND VALVE VAULTS</b>  <b>STANDARD NO. W-8</b>	
	 DAVID J. ELBERTI, P.E. CHIEF ENGINEER	DATE	INITIALS		
		6/18/09	J.E.C.		
		5/5/11	J.E.C.		
DATE: 5/11/11					