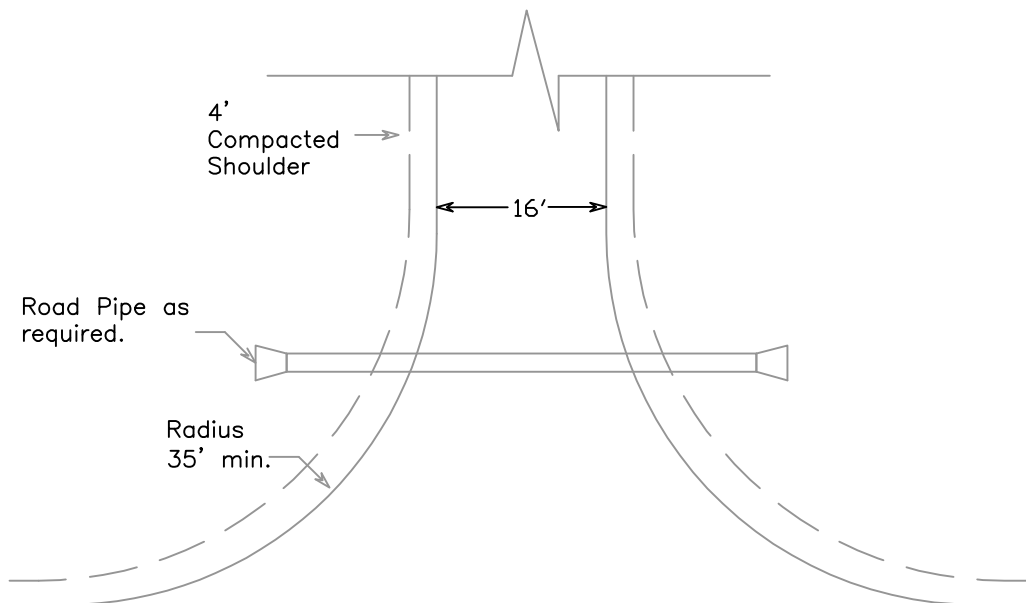


Paved parking areas shall be sloped to drain away from the facility.

Water from adjacent properties shall not be permitted to sheet across driveway.

Driveways longer than 100' off the roadway shall have a turn-around adjacent to the facility served.

There shall be no turns in the roadway or facility entrance with a radius less than 35'.



Final design of the entrance shall be in accordance with the appropriate approving authority.

	<b>APPROVED</b>	<b>REVISIONS</b>		<b>ST. MARY'S COUNTY METROPOLITAN COMMISSION STANDARDS FOR PUBLIC WATER, SEWER AND INCIDENTAL STRUCTURES</b>
	 M. C. HOLLANDER, P.E. CHIEF ENGINEER DATE: 7/11/19	DATE	INITIALS	
		6/18/09	J.E.C.	
		1/16/19	J.E.C.	
			<b>STANDARD NO. G-23</b>	