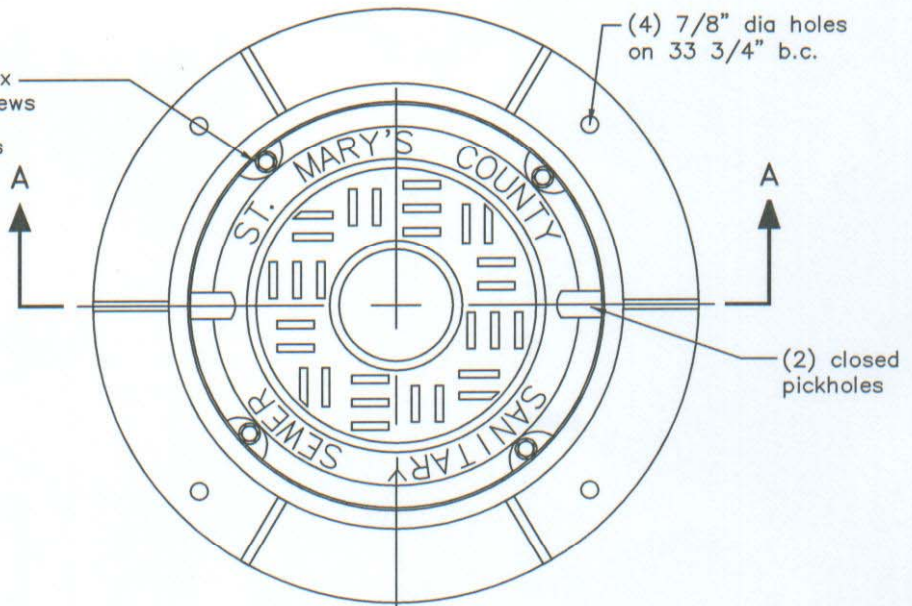
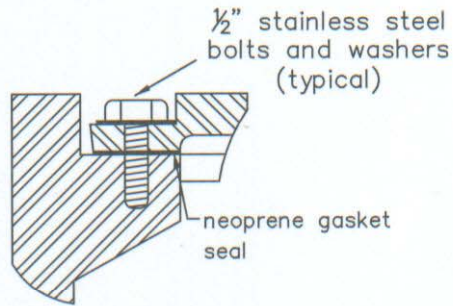


(4) 1/2"-13 hex
hd ss cap screws
w/flat rubber
& steel washers

(4) 7/8" dia holes
on 33 3/4" b.c.

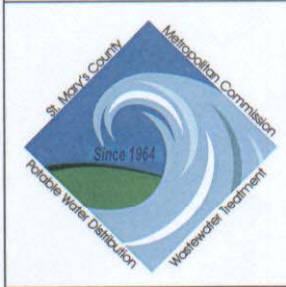
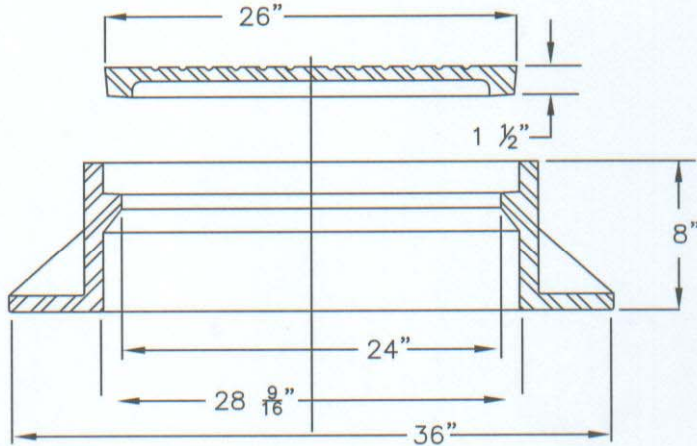


(2) closed
pickholes



BOLTING DETAIL

SECTION A-A



APPROVED

C.I.F.

C. I. FREDERICK JR., P.E.
CHIEF ENGINEER

DATE: 7/1/09

REVISIONS

| DATE | INITIALS |
|---------|----------|
| 6/18/09 | J.E.C. |
| | |
| | |

**ST. MARY'S COUNTY
METROPOLITAN COMMISSION
STANDARDS FOR PUBLIC WATER, SEWER
AND INCIDENTAL STRUCTURES**

**WATERTIGHT
MANHOLE FRAME AND COVER**

STANDARD NO. S-8