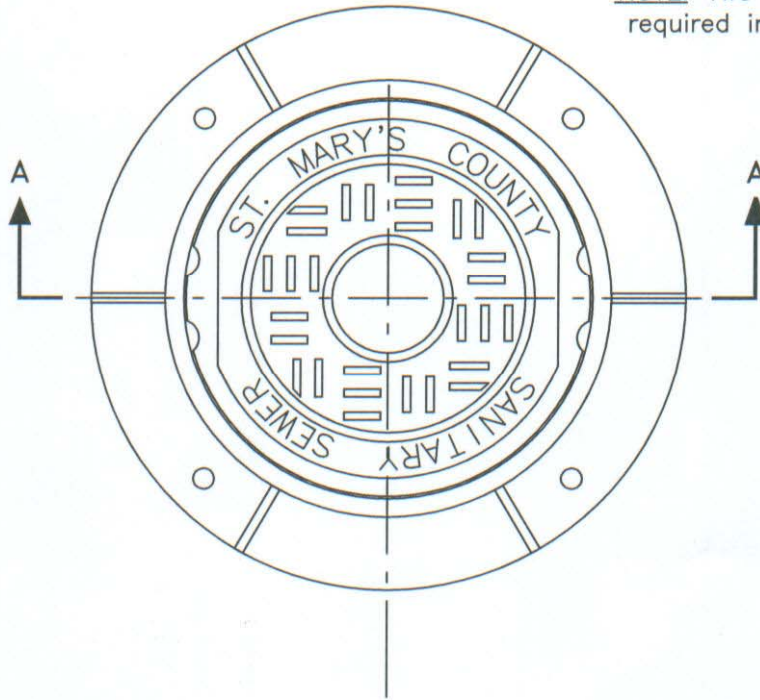
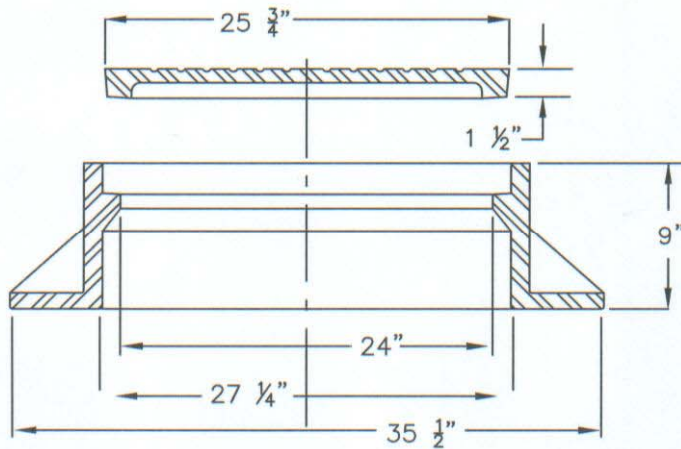


NOTE: Two 5/8" vent holes required in manhole cover.



SECTION A-A



NOTE:

1. Material used will be similar to ASTM Spec. A-48, Class 30 cast iron.
2. Pattern to be made of core type, provide rapping plates on pattern.
3. Average total weight - 505 lbs.

	APPROVED	REVISIONS		ST. MARY'S COUNTY METROPOLITAN COMMISSION STANDARDS FOR PUBLIC WATER, SEWER AND INCIDENTAL STRUCTURES
	 C. I. FREDERICK JR., P.E. CHIEF ENGINEER	DATE	INITIALS	
	DATE: <u>7/1/09</u>	6/18/09	J.E.C.	
				STANDARD NO. S-7