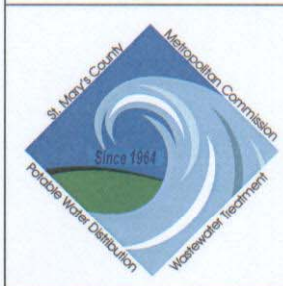
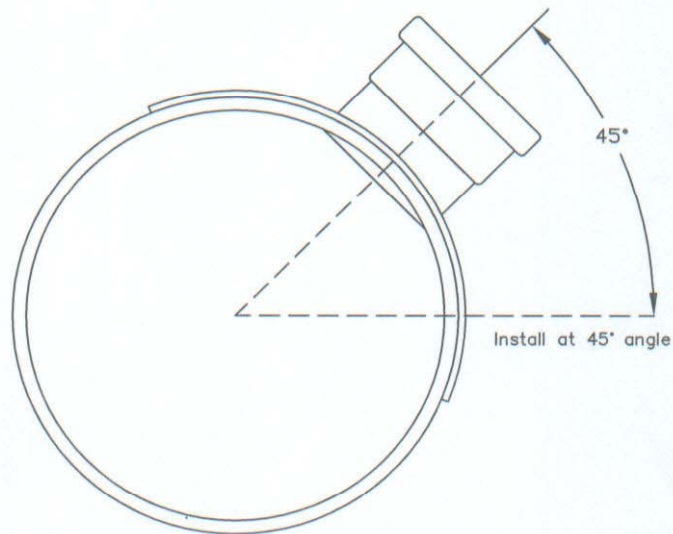
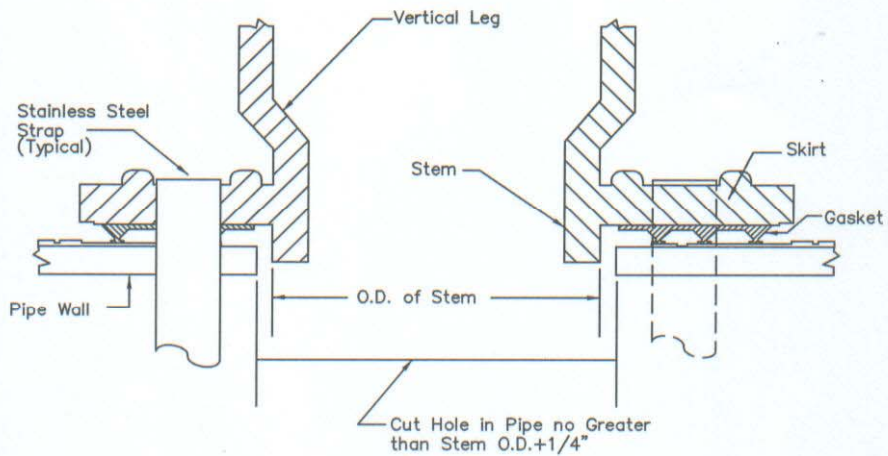


Smooth PVC pipe saddle (tee)



APPROVED

C.I.F.

C. I. FREDERICK JR., P.E.
CHIEF ENGINEER

DATE: 7/1/09

REVISIONS

DATE	INITIALS
6/18/09	J.E.C.

ST. MARY'S COUNTY
METROPOLITAN COMMISSION
STANDARDS FOR PUBLIC WATER, SEWER
AND INCIDENTAL STRUCTURES

SMOOTH PVC GASKETED TEE
PIPE SADDLE
FOR SEWER MAINS UP TO 12"

STANDARD NO. S-13