

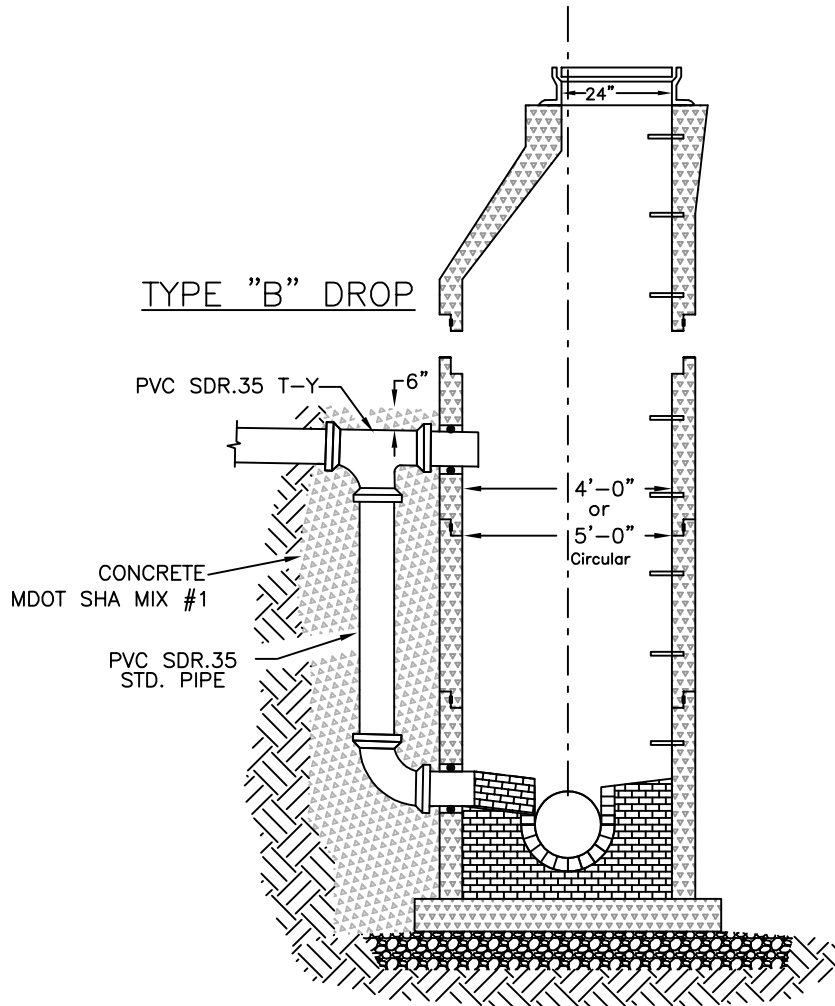
DROP CONNECTIONS			
Size of sewer	Type "A"		Type "B"
	max. drop	min. drop	min. drop
8"	3'-9"	2'-0"	3'-9"
10"	4'-0"	2'-0"	4'-0"
12"	6'-0"	2'-6"	6'-0"
15"	6'-0"	2'-6"	6'-0"

**NOTES:**  
 MANHOLE SHALL BE CONSTRUCTED UTILIZING ALL OF THE DETAIL NOTES AND STANDARDS OF THE PRECAST LINE MANHOLE, METCOM STANDARD S-2

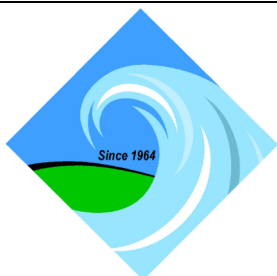
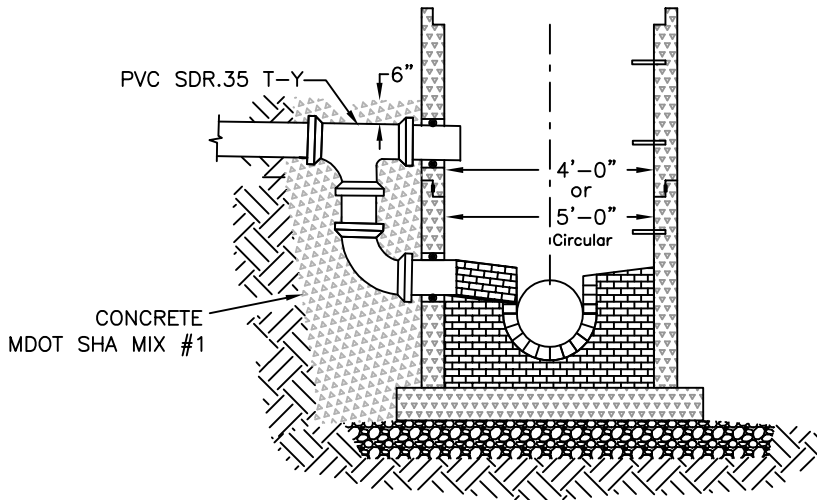
PRECAST STRUCTURE BASES WITH MONOLITHICALLY CAST 90° ELBOWS AND PRECAST CONCRETE COLLARS ON EXTERIOR PIPING SHALL BE ACCEPTABLE IN LIEU OF POURED CONCRETE.

A 5'0" DIAMETER MANHOLE IS REQUIRED IF MORE THAN ONE DROP IS PROPOSED.

TYPE "B" DROP



TYPE "A" DROP



**APPROVED**

*M. C. Hollander*

M. C. HOLLANDER, P.E.  
 CHIEF ENGINEER

DATE: 7/11/19

**REVISIONS**

DATE	INITIALS
6/18/09	J.E.C.
1/8/19	J.E.C.

ST. MARY'S COUNTY  
 METROPOLITAN COMMISSION  
 STANDARDS FOR PUBLIC WATER, SEWER  
 AND INCIDENTAL STRUCTURES

DROP MANHOLE  
 FOR NEW CONSTRUCTION

**STANDARD NO. S-4**