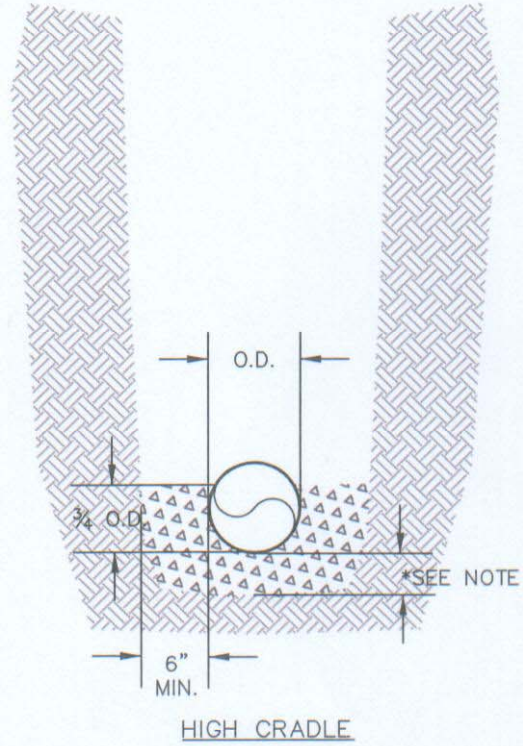
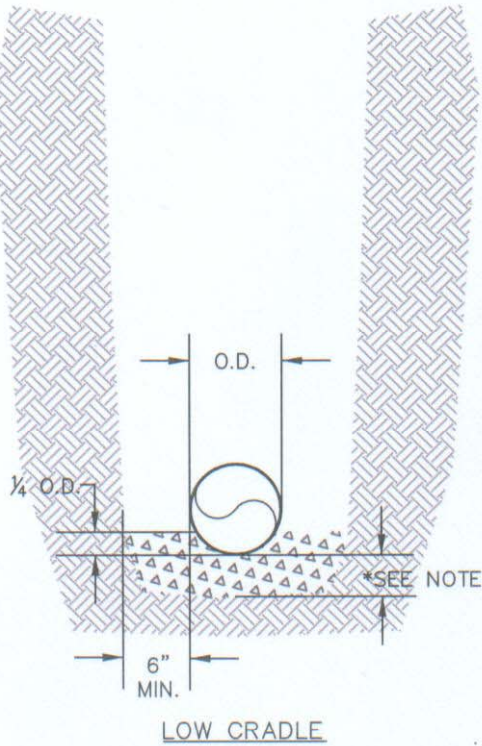


POUR CONCRETE AGAINST UNDISTURBED EARTH. REMOVE SHEETING BEFORE POURING CONCRETE OR LEAVE LOWER PORTION OF SHEETING IN PLACE.

ALL CONCRETE SHALL BE MDOT SHA MIX #1, 2500 PSI @ 28 DAYS.

*NOTE:
 3" MINIMUM FOR PIPES 24" AND SMALLER IN DIAMETER.
 4" MINIMUM FOR PIPES LARGER THAN 24" IN DIAMETER.



APPROVED

C.I.F.

C. I. FREDERICK JR., P.E.
 CHIEF ENGINEER

DATE: 7/1/09

REVISIONS

DATE	INITIALS
6/18/09	J.E.C.

**ST. MARY'S COUNTY
 METROPOLITAN COMMISSION**
 STANDARDS FOR PUBLIC WATER, SEWER
 AND INCIDENTAL STRUCTURES

TYPICAL
 CONCRETE ENCASEMENT
 CONCRETE CRADLE

STANDARD NO. G-17