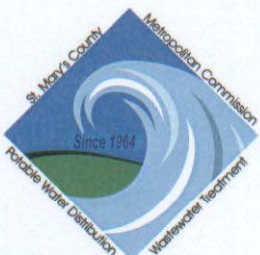
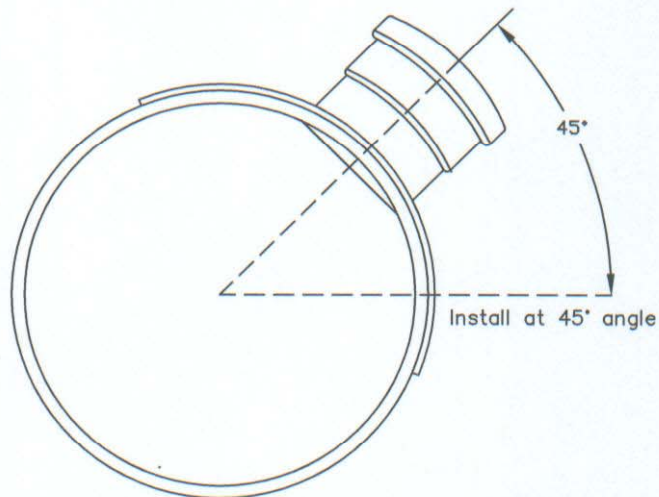
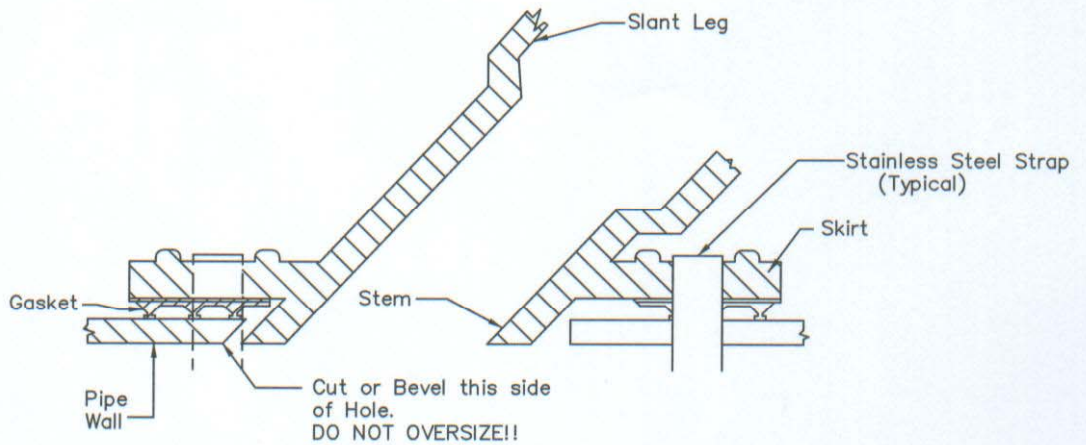


SMOOTH PVC PIPE SADDLE (WYE)



APPROVED

CF
 C. I. FREDERICK JR., P.E.
 CHIEF ENGINEER
 DATE: 7/1/09

REVISIONS

DATE	INITIALS
6/18/09	J.E.C.

**ST. MARY'S COUNTY
 METROPOLITAN COMMISSION
 STANDARDS FOR PUBLIC WATER, SEWER
 AND INCIDENTAL STRUCTURES**

**SMOOTH PVC GASKETED WYE
 PIPE SADDLE
 FOR SEWER MAINS UP TO 12"**

STANDARD NO. S-14