

NOTES:

PRECAST DOGHOUSE MANHOLE SHALL BE CONSTRUCTED UTILIZING ALL OF THE DETAIL NOTES AND STANDARDS OF THE PRECAST LINE MANHOLE, METCOM STANDARD S-2 OR SHALLOW MANHOLE, METCOM STANDARD S-1.

INSIDE DROP CONNECTIONS SHALL NOT BE USED.

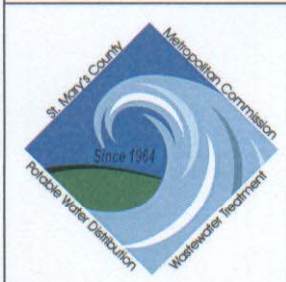
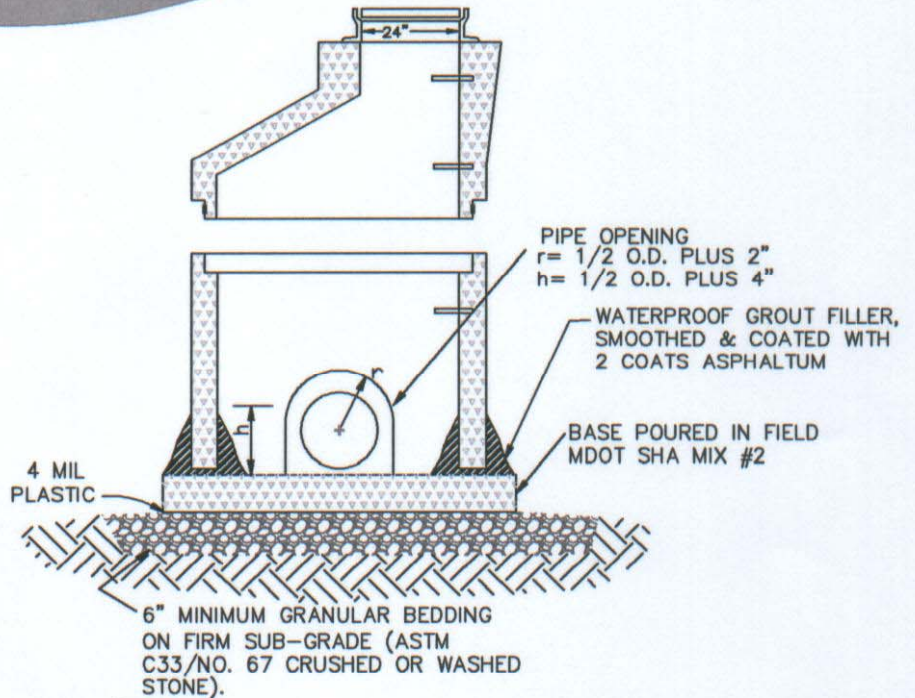
CHANNEL AND BENCH SHALL BE CONSTRUCTED IN ACCORDANCE WITH STANDARD DETAIL S-6.

CONNECTION BETWEEN MANHOLE WALL AND EXISTING SEWER PIPE SHALL BE SOLID BRICK, WATERPROOF CEMENT AND 2 COATS OF ASPHALTUM.

MANHOLE SHALL BE 5' IN DIAMETER UNLESS OTHERWISE SPECIFIED BY THE ENGINEER.

PRECAST BASE SECTION SHALL BE PERMISSABLE.

MANHOLE SHALL NOT BE INSTALLED OVER A BELL OR JOINT.



APPROVED

C.I.F.

C. I. FREDERICK JR., P.E.
CHIEF ENGINEER

DATE: 7/1/09

REVISIONS

DATE	INITIALS
6/18/09	J.E.C.

ST. MARY'S COUNTY
METROPOLITAN COMMISSION
STANDARDS FOR PUBLIC WATER, SEWER
AND INCIDENTAL STRUCTURES

MANHOLE BUILT OVER
EXISTING SEWER MAIN
(12" OR SMALLER)

STANDARD NO. S-5