

Antenna Installation

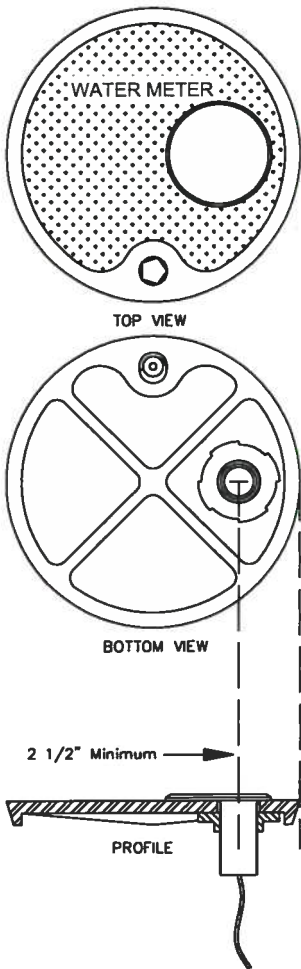
1. Insert antenna housing "A" through pit lid hole (from above) and secure in place with plastic nut "B". Plastic nut shall be installed with the solid face against the lid. Antenna shall be flush with the exterior of lid and completely supported.

2. Excess wire "C" should be coiled loosely in meter pit allowing for removal of pit lid.

For MIU conversions only:

1. Hang MIU by lacing an electrical cable tie through the hole in the MIU and Antenna stem. The cable tie should be pulled small enough to limit depth but not restrict the MIU from hanging vertically. The coaxial cable should not have any tension on it from the MIU. Connect the MIU wire lead to the Sensus register terminals as shown on W-11. Do not shorten the MIU three wire cable lead, coil and other wise control the access by using of a non-conducting cable tie. Rubber bands are not acceptable.

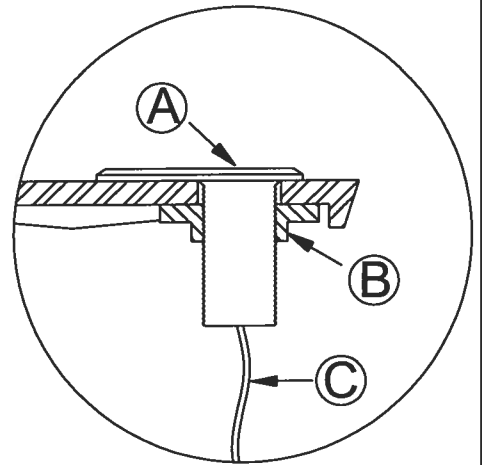
2. The coaxial and MIU Lead connections to either the Meter or MIU shall be made per manufacture instructions. Extra care shall be taken for connections that have the potential for submersion. MIU Lead splice connections shall be a direct burial water submersion industrial quality connection. Use of Electrical tape is not acceptable .



General Notes

Radio-Read unit shall be installed in accordance with the manufacturers installation guide.

All material used in construction shall conform to the Standards and Specifications for Water and Sewer Installation as most recently revised.



Meter pit lids shall have either a pre-drilled hole or knock-out for the installation of the radio read pit-lid antenna.

FIELD ALTERING OR DRILLING OF LIDS SHALL NOT BE ACCEPTABLE FOR NEW CONSTRUCTION.

Field drilled 1 3/4" diameter hole shall be placed clear of the support ribs of the cover. FIELD DRILLED HOLES SHALL ONLY BE USED WHEN RETROFITTING EXISTING METER ASSEMBLIES.

Pit and meter assembly shall be installed in accordance with Std. Detail W4, W5 or W6 as applicable.

	<p><u>APPROVED</u></p>	<p><u>REVISIONS</u></p>	<p><b>ST. MARY'S COUNTY METROPOLITAN COMMISSION</b> STANDARDS FOR PUBLIC WATER, SEWER AND INCIDENTAL STRUCTURES</p>								
	<p>DAVID J. ELBERTI, P.E. CHIEF ENGINEER</p> <p>DATE: <u>7/20/11</u></p>	<table border="1"> <thead> <tr> <th>DATE</th> <th>INITIALS</th> </tr> </thead> <tbody> <tr> <td>7/18/11</td> <td>J.E.C.</td> </tr> <tr> <td> </td> <td> </td> </tr> <tr> <td> </td> <td> </td> </tr> </tbody> </table>	DATE	INITIALS	7/18/11	J.E.C.					<p>TYPICAL INSTALLATION OF RADIO READ METER MIU AND ANTENNA</p>
		DATE	INITIALS								
		7/18/11	J.E.C.								
<p><b>STANDARD NO. W-10</b></p>											